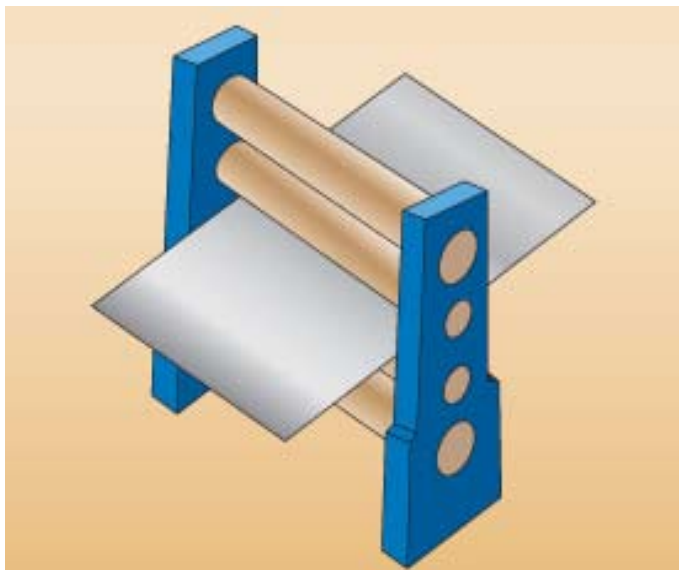


VpCI®-344



To provide the cleanest strip possible, most material is wet rolled at the temper mill. For rolled steel, VpCI-344 diluted with water can be used as a wet tempering fluid.

PRODUCT DESCRIPTION

VpCI-344 is a concentrated corrosion preventive liquid/metalworking lubricant for wet tempering of galvanized and cold-rolled steel, difficult-to-produce metal stampings, wire rope, tubular products, and machine parts. This water-based product utilizes Vapor phase Corrosion Inhibitor (VpCI) technology for maximum protection. VpCI-344 gives very good protection when coated on metal surfaces, and has a unique vapor phase action which protects uncoated and difficult-to-reach areas on casting and stamping equipment.

When used as directed, VpCI-344 prevents corrosion indoors for up to two years. VpCI-344 forms a clear solution in water. If needed, this product is designed to be removed with conventional alkaline cleaners.

FEATURES

- Water-soluble, environmentally friendly, and safe to apply
- Prevents flash corrosion on cold-rolled steel
- Very stable in hard water
- Does not affect slip characteristics
- Extends shelf life of finished product
- Will not clog filtration systems
- Forms a hydrophobic film
- Forms a clear, dry film which renders an attractive appearance to protected parts
- Unique vapor phase action protects uncoated surfaces and areas difficult to reach
- Is easy to remove, if necessary
- Nitrite- and phosphate ester-free
- Non-flammable
- Passes ASTM D-4627-86 (Test Method for Iron Chip Corrosion for Water-soluble Metalworking Fluids) at 2% by weight

TYPICAL APPLICATIONS

- Wet tempering
- Protection of hot-rolled, cold-rolled, and galvanized steel
- Coolant
- Quenching additives

METAL PROTECTED

- Hot-rolled steel
- Cold-rolled steel
- Galvanized steel
- Carbon steel
- Stainless steel
- Aluminum
- Copper

APPLICATION

VpCI-344 is dipped or sprayed onto the steel surface.
Add VpCI-344 to water as follows:

Wet tempering of steel:

1 part concentrate to 20-40 parts water

Short-term protection (1-6 months):

1 part concentrate to 50-60 parts water

Medium-term protection (6-12 months):

1 part concentrate to 40-50 parts water

For protection up to 24 months:

1 part concentrate to 20-40 parts water

TYPICAL PROPERTIES

Appearance	Clear dark amber liquid
Film Type	Dry, clear
Non-volatile Content	45-50%
pH	8.3-9.3 (Neat)
Density	8.7-8.9 lb/gal (1.04-1.07 kg/l)

PACKAGING AND STORAGE

VpCI-344 is available in 5 gallon (19 liter) plastic pails, 55 gallon (208 liter) metal drums, liquid totes and bulk. The product should be sealed and stored in a heated warehouse to avoid freezing. VpCI-344 has a shelf life of 24 months.

FOR INDUSTRIAL USE ONLY

KEEP OUT OF REACH OF CHILDREN

KEEP CONTAINER TIGHTLY CLOSED

NOT FOR INTERNAL CONSUMPTION

CONSULT MATERIAL SAFETY DATA SHEET FOR MORE INFORMATION

LIMITED WARRANTY

All statements, technical information and recommendations contained herein are based on tests Cortec Corporation believes to be reliable, but the accuracy or completeness thereof is not guaranteed.

Cortec Corporation warrants Cortec® products will be free from defects when shipped to customer. Cortec Corporation's obligation under this warranty shall be limited to replacement of product that proves to be defective. To obtain replacement product under this warranty, the customer must notify Cortec Corporation of the claimed defect within six months after shipment of product to customer. All freight charges for replacement products shall be paid by customer.

Cortec Corporation shall have no liability for any injury, loss or damage arising out of the use of or the inability to use the products.

BEFORE USING, USER SHALL DETERMINE THE SUITABILITY OF THE PRODUCT FOR ITS INTENDED USE, AND USER ASSUMES ALL RISK AND LIABILITY WHATSOEVER IN CONNECTION THEREWITH. No representation or recommendation not contained herein shall have any force or effect unless in a written document signed by an officer of Cortec Corporation.

THE FOREGOING WARRANTY IS EXCLUSIVE AND IN LIEU OF ALL OTHER WARRANTIES, EXPRESS, IMPLIED OR STATUTORY, INCLUDING WITHOUT LIMITATION ANY IMPLIED WARRANTY OF MERCHANTABILITY OR OF FITNESS FOR A PARTICULAR PURPOSE. IN NO CASE SHALL CORTEC CORPORATION BE LIABLE FOR INCIDENTAL OR CONSEQUENTIAL DAMAGES.



Distributed by:

4119 White Bear Parkway, St. Paul, MN 55110 USA
Phone (651) 429-1100, Fax (651) 429-1122
Toll Free (800) 4-CORTEC, E-mail info@cortecvci.com
Internet <http://www.cortecvci.com>